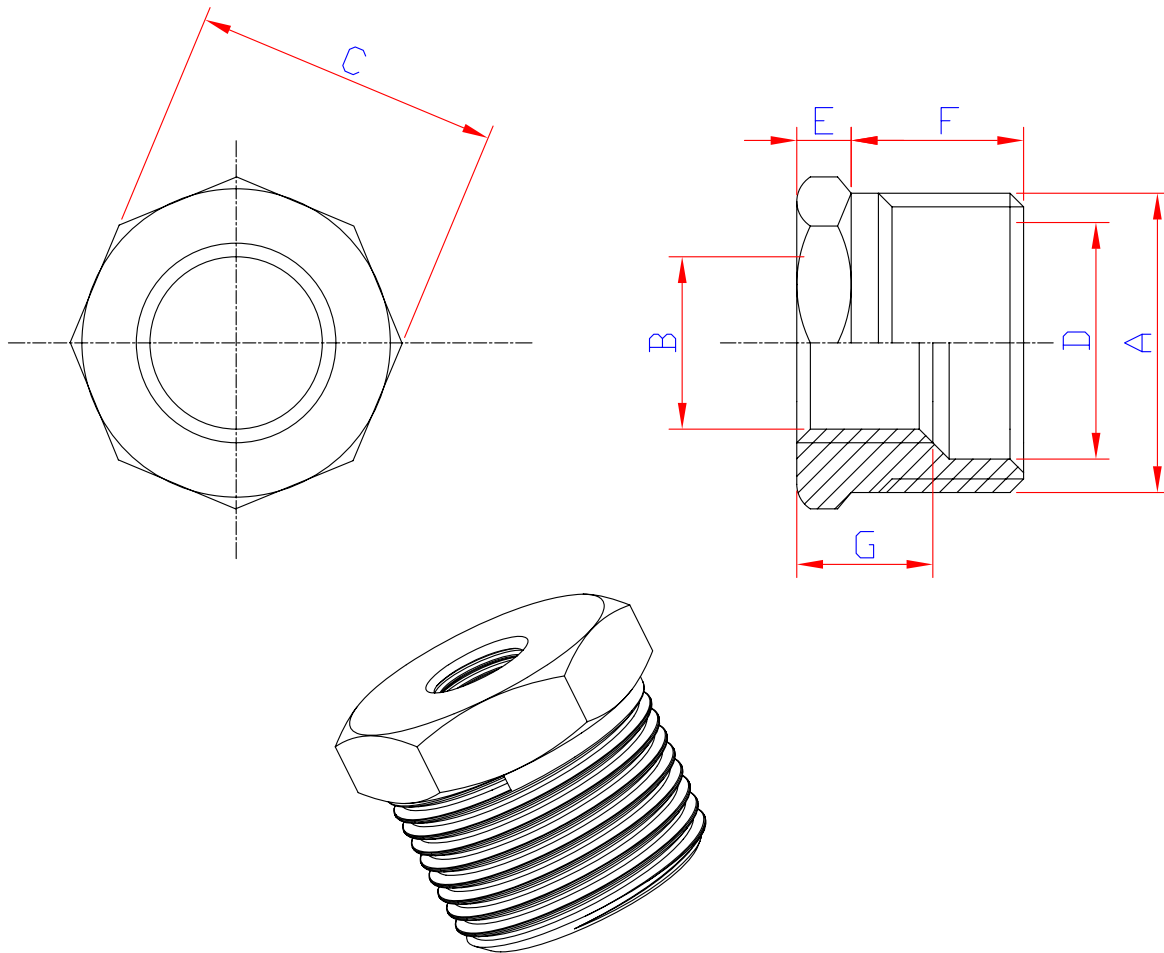


# THOMAS GOODEN FOUNDRY SERVICES PTY LIMITED

Tel (02) 9603-9988 Fax (02) 9603-9288

E-mail: sales@tgfs.com.au

## Dimensions And Diagram Bush



### Dimensions - mm

Size	A	B	C	D	E	F	G
15	GB1/2 14TPI	G1/4 19TPI	22.4	-	7.5	12.6	-
15	GB1/2 14TPI	G3/8 19TPI	22.4	-	7	13.6	-
20	GB3/4 19TPI	G1/2 14TPI	26.8	-	7.5	12.6	-
25	GB1 11TPI	G1/2 14TPI	34.5	24.5	7.2	20	16
25	GB1 11TPI	G3/4 14TPI	34.5	-	8	19.7	-
32	GB1 1/4 11TPI	G1/2 14TPI	43.2	34.6	9.2	21.6	17.2
32	GB1 1/4 11TPI	G3/4 14TPI	43.2	33.2	9.2	21.6	19.2
32	GB1 1/4 11TPI	G1 11TPI	43.2	-	9.2	22.1	-
40	GB1 1/2 11TPI	G1/2 14TPI	49.6	38.2	9.5	19	15.5
40	GB1 1/2 11TPI	G3/4 14TPI	49.6	38.2	9.5	19	17
40	GB1 1/2 11TPI	G1 11TPI	49.6	38.2	9.5	19	20
40	GB1 1/2 11TPI	G1 1/4 11TPI	49.6	36.5	9.5	19	22



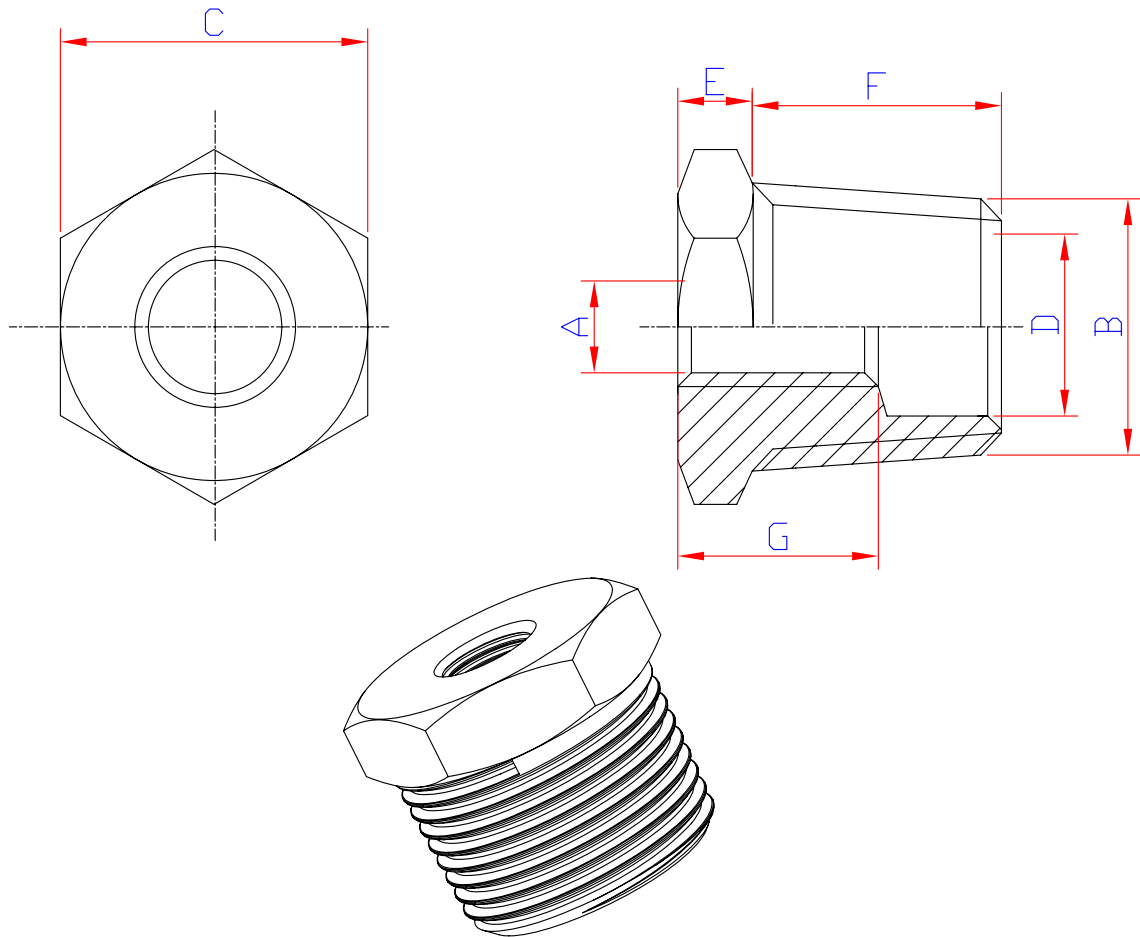
# THOMAS GOODEN FOUNDRY SERVICES PTY LIMITED

Tel (02) 9603-9988 Fax (02) 9603-9288

E-mail: sales@tgfs.com.au

## Dimensions And Diagram

## Bush tapered



### Dimensions - mm

Size	A	B	C	D	E	F	G
8	G1/8 28TPI	R1/4 19TPI	14.2	-	6.4	13.4	-
10	G1/8 28TPI	R3/8 19TPI	17.5	8.7	6.2	14.2	19.1
10	G1/4 19TPI	R3/8 19TPI	17.5	-	7.2	14.2	-
15	G1/8 28TPI	R1/2 14TPI	22.4	14	7.5	17.2	13.2
15	G1/4 19TPI	R1/2 14TPI	22.4	14	7.5	17.2	14.2
15	G3/8 19TPI	R1/2 14TPI	22.4	14	7.5	17.2	16.7
20	G1/8 14TPI	R3/4 14TPI	27	18.8	7.5	17.5	13.2
20	G1/4 19TPI	R3/4 14TPI	27	18.9	7.5	17.5	14.2
20	G3/8 19TPI	R3/4 14TPI	27	18.9	7.5	17.5	16.7
20	G1/2 14TPI	R3/4 14TPI	27.2	-	8.2	17	-
25	G1/4 19TPI	R1 11TPI	34.5	25	7	22.5	11.2
25	G3/8 19TPI	R1 11TPI	34.5	25	7	22.5	13.2